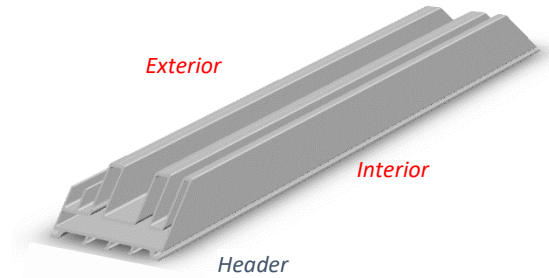


## Sliding Patio Door Knock-Down Kit Assembly: 2 Panel Door

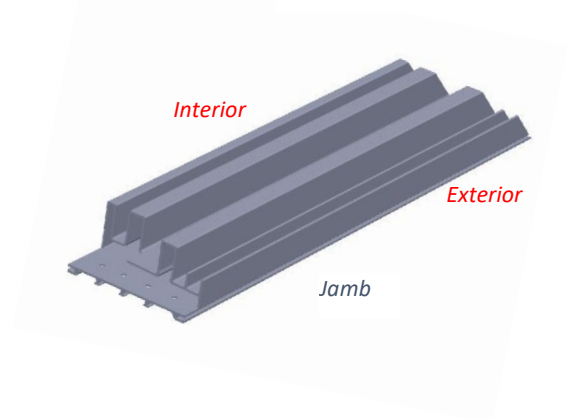
### I. Profile Definitions & Parts

#### Frame Components

Header – The upper horizontal member of the patio door frame

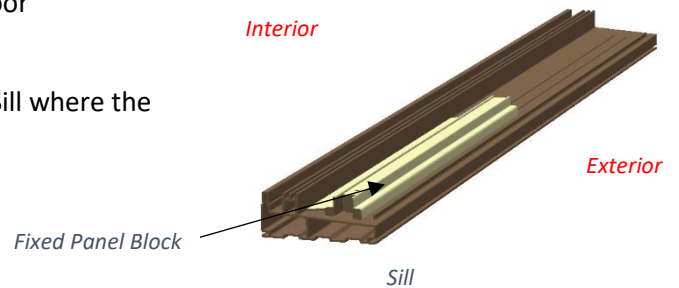


Jamb – The two side members of the patio door frame

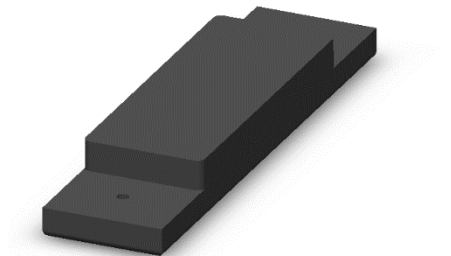


Sill – The lower (bottom) member of the patio door frame

Fixed Panel Block- The member attached to the Sill where the Fixed Panel gets mounted



Anti-Lift Block – Injection molded weatherstrip block inserted into the header after panel installation



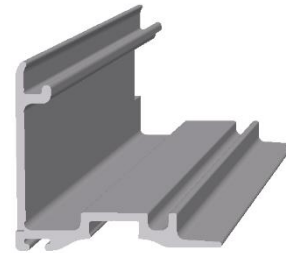


## WINDOWS & DOORS ASSEMBLY INSTRUCTIONS

### Panel Components

Panel – The active or fixed sash of the patio door

Interlock Cover – The joining member of the panel that promotes weather sealing when the door is closed.



*Interlock Cover*

### Hardware

Patio door handle set – The handle set that is installed in the active panel after installation

Header Screw - #10 ½" Pan-Head screw

Sill Screw - #10 ¾" Pan-Head Screw

Fixed Panel Anchor – 'L' bracket used to fix the inactive panel in place

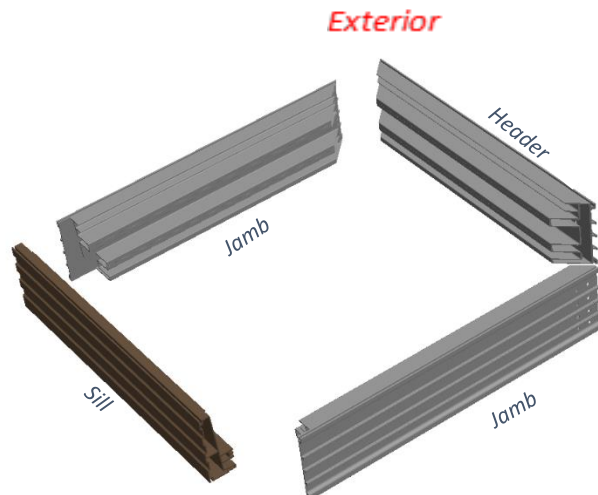
Fixed Panel Screw - #10 ¾" Pan-Head Screw

Interlock Cover Screws – #8 ¾" Pan-Head self-tapping Screw (Painted)

## II. Frame Assembly

Locate and clear a work area that facilitates the assembly of the patio door frame. Ensure that there is sufficient space to work around the assembled frame with extra room for the installation crew. Ensure that the work area is level and flat.

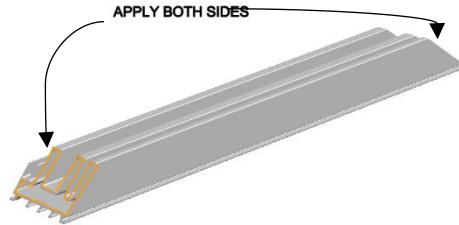
1. Lay the four patio door frame components [Header (1), Jambs (2), Sill (1)] on the ground with the exterior of the frame pointing upward.



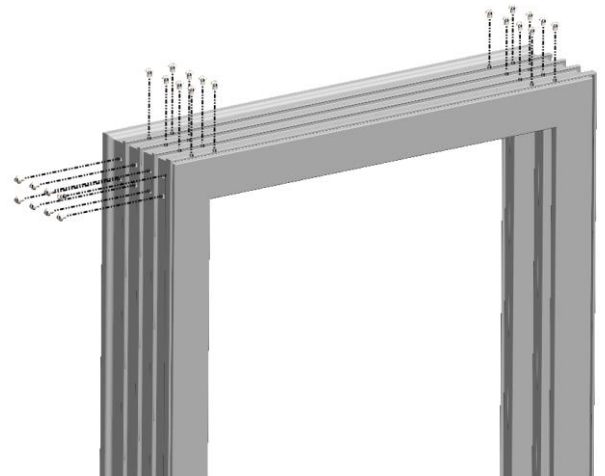
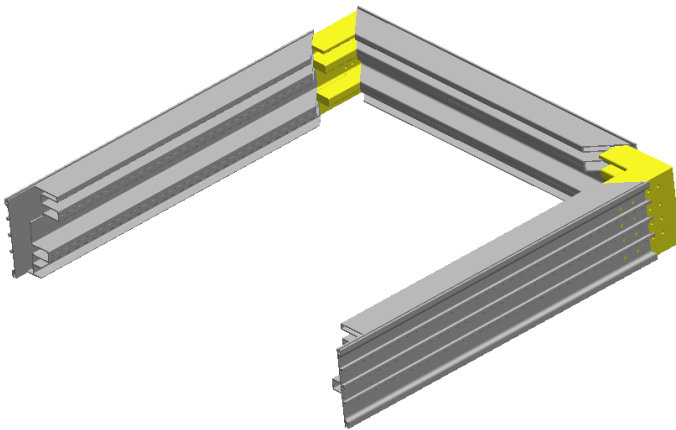


## WINDOWS & DOORS ASSEMBLY INSTRUCTIONS

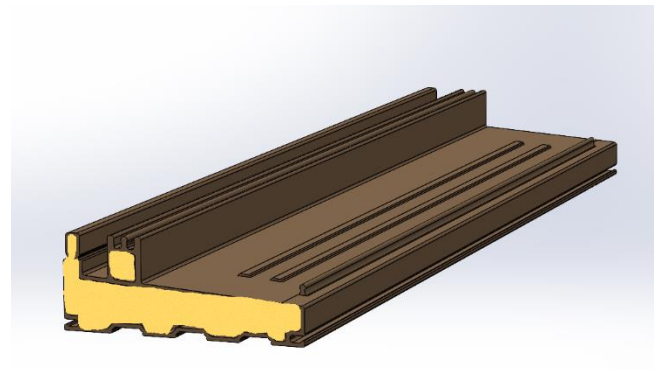
2. Apply adhesive sealant along the mitered edges of the header.



3. Connect the jamb and header by inserting the exposed section of the Jamb/Head corner key into the header. Ensure that there are no gaps along the miter between the jamb and the header. Use the Header Screws (8 per side) to fasten the header to the jamb. Repeat on the other side of the frame.



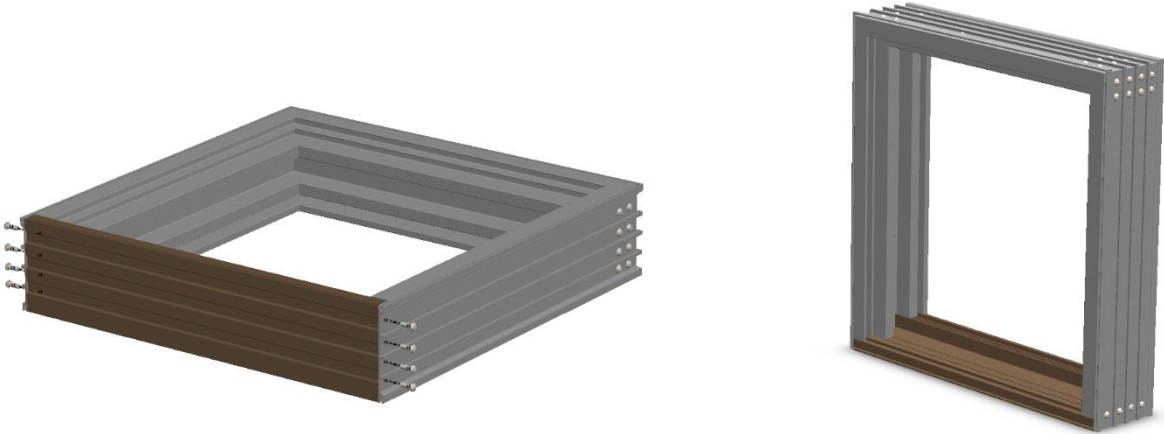
4. Apply a bead of adhesive sealant to both ends of the sill in the location indicated here →





## WINDOWS & DOORS ASSEMBLY INSTRUCTIONS

5. Align the sill to the adjoining jambs and insert the Sill Screws (4 per side) through the outside of the jamb into the sill.

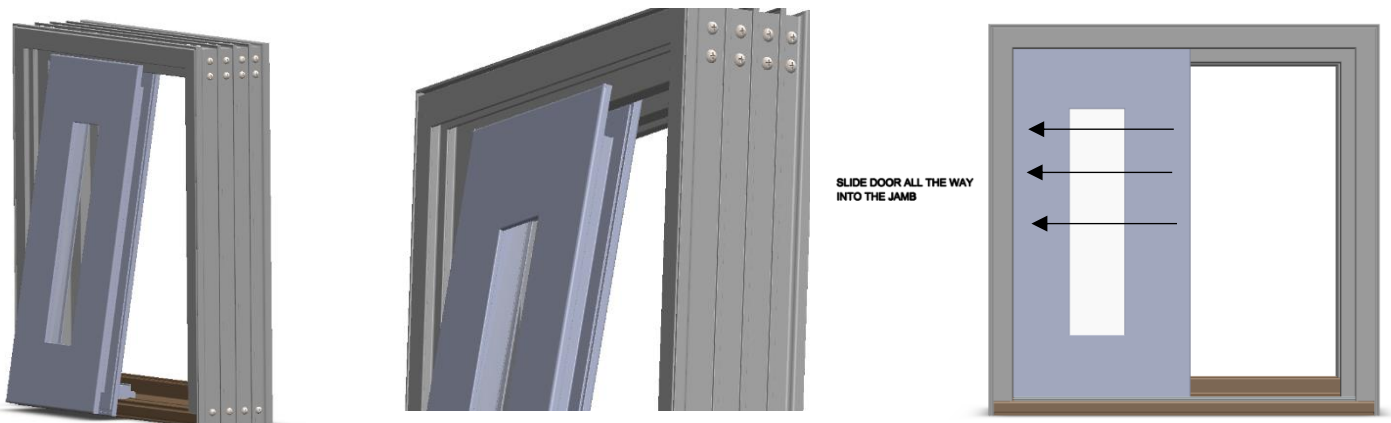


**Refer to EnerLux Windows & Doors installation instructions for frame installation in the rough opening before continuing**

### III. Panel Installation: 2 Panel

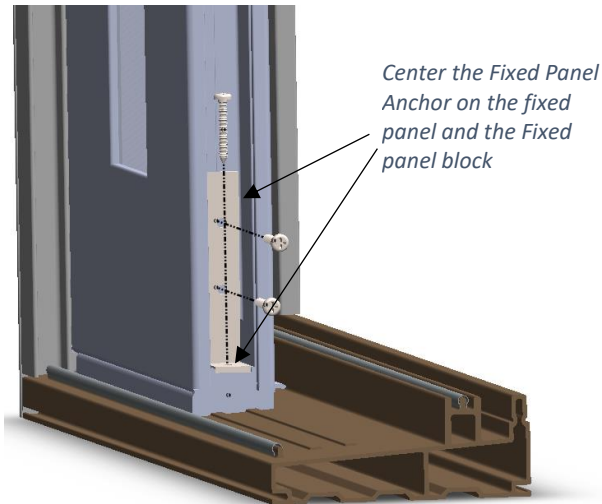
#### *2-Panel Patio Door (OX or XO)*

1. Set the fixed panel into place (from the exterior of the door) by lifting it into the upper header then setting the bottom onto the fixed panel block. Slide the fixed panel all the way into the jamb until it is all the way in and flush with the Fixed Panel Block.

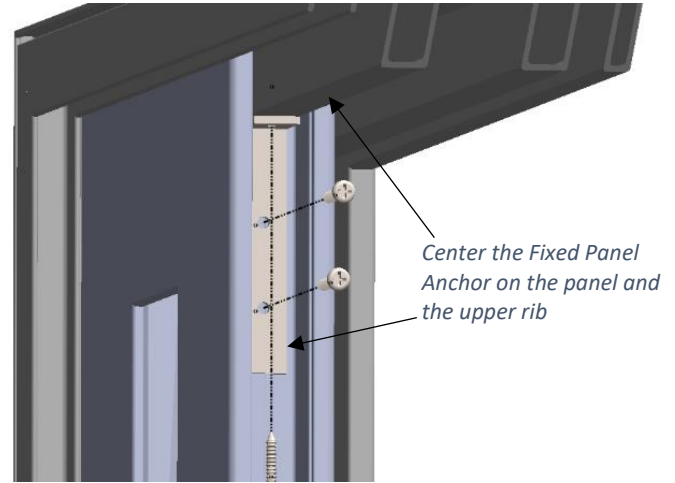


*Fixed Panel*

2. Secure the Fixed Panel in place by installing the Fixed Panel Anchor. Align the Fixed Panel Anchor as shown and insert the Fixed Panel Screws into place. Both the upper and lower fixed panel anchors must be centered on the panel.

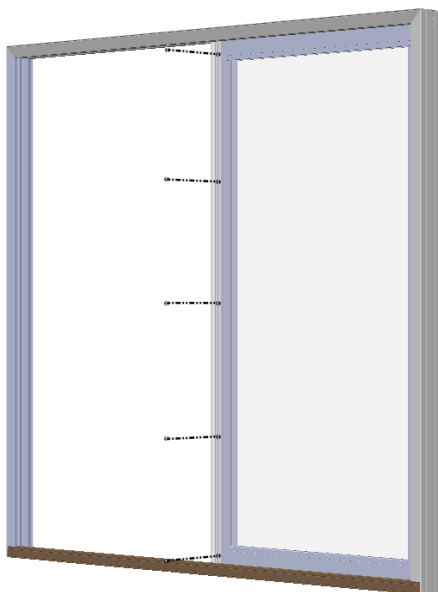


*Lower Anchor*

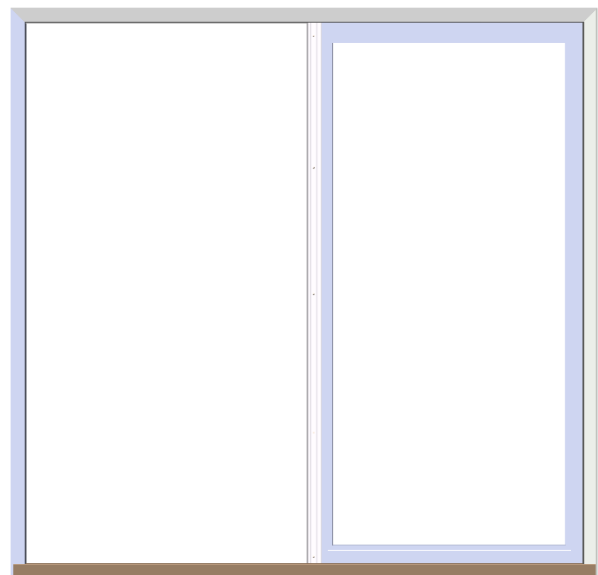


*Upper Anchor*

3. Snap in the Fixed Panel Interlock Cover. Secure the Interlock Cover by screwing it into the Fixed Panel Fiberglass with the Interlock Cover Screws.

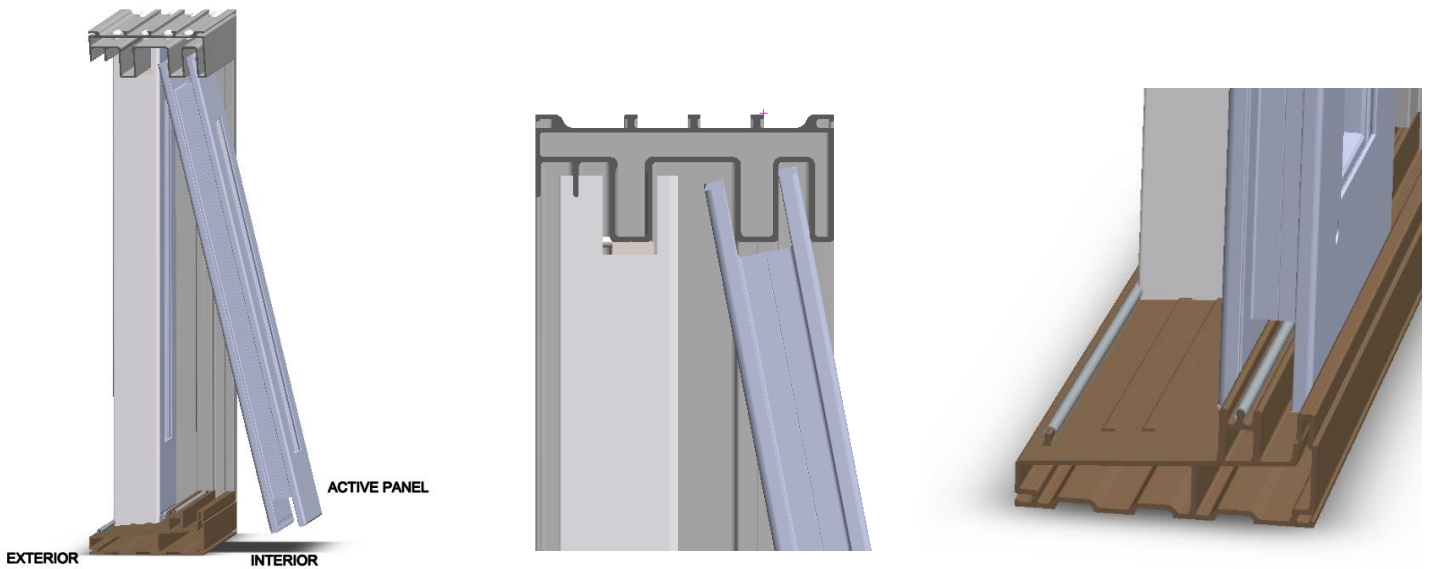


*Viewed from the interior*

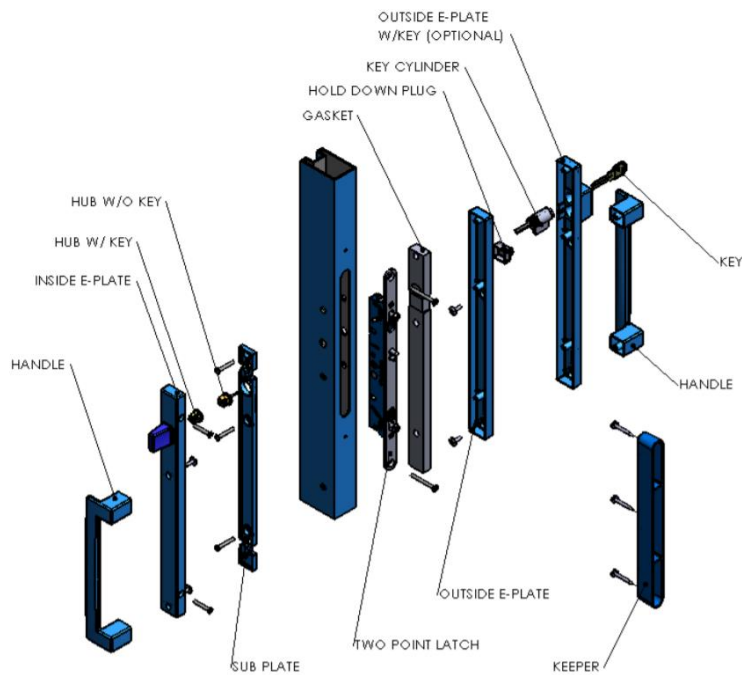


*Viewed from the interior*

4. Insert active panel from the interior side of the door by lifting it into the upper header and sliding the bottom onto the roller track. Insert the active panel in a central position along the width of the door. Then slide the active panel into the jamb.



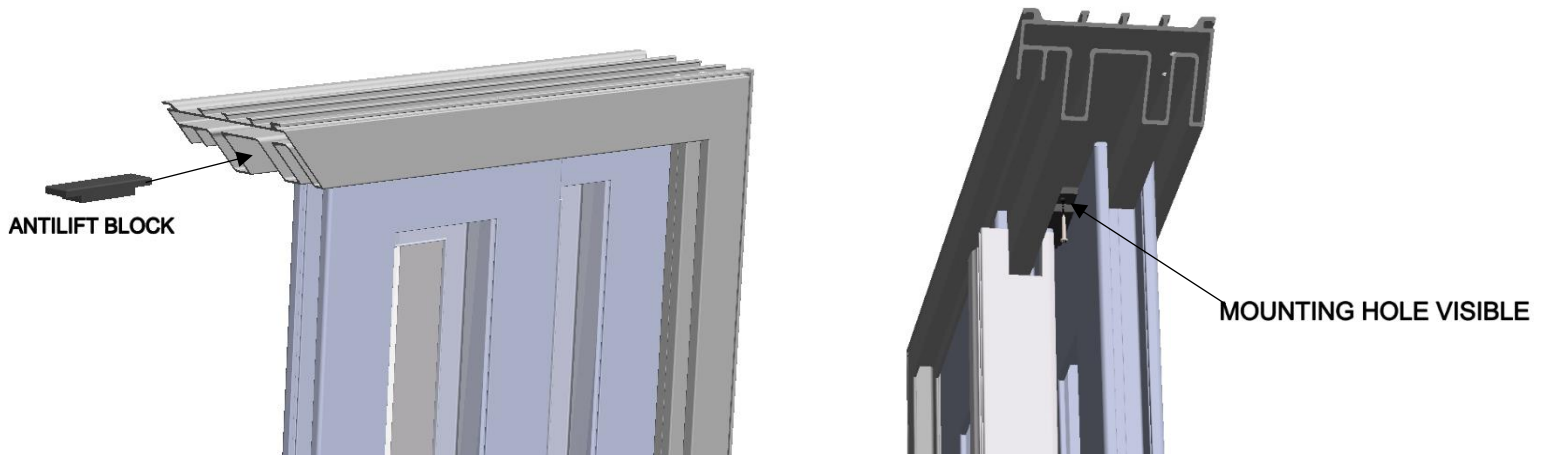
5. Refer to the picture below for handle installation.



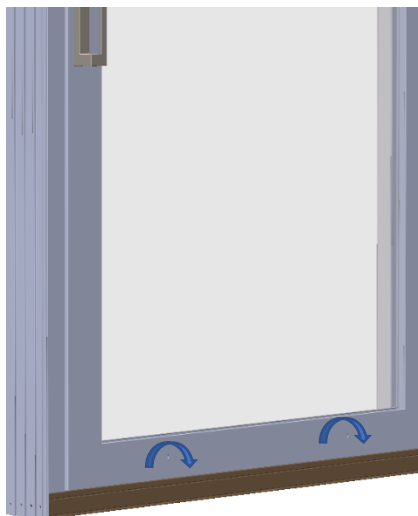


## WINDOWS & DOORS ASSEMBLY INSTRUCTIONS

6. Insert the included anti-lift block into the header track and slide it to the center of the header. Ensure that both mounting holes on the anti-lift block are visible (one from the exterior, one from the interior). Screw the anti-lift block into place using the included self-tapping screws.



7. Adjust the rollers from the side adjustment screws until the door is plumb and slides easily.



8. Mount the screen door on the outer track of the patio door. The top of the screen door will be inserted in the outer groove of the header

