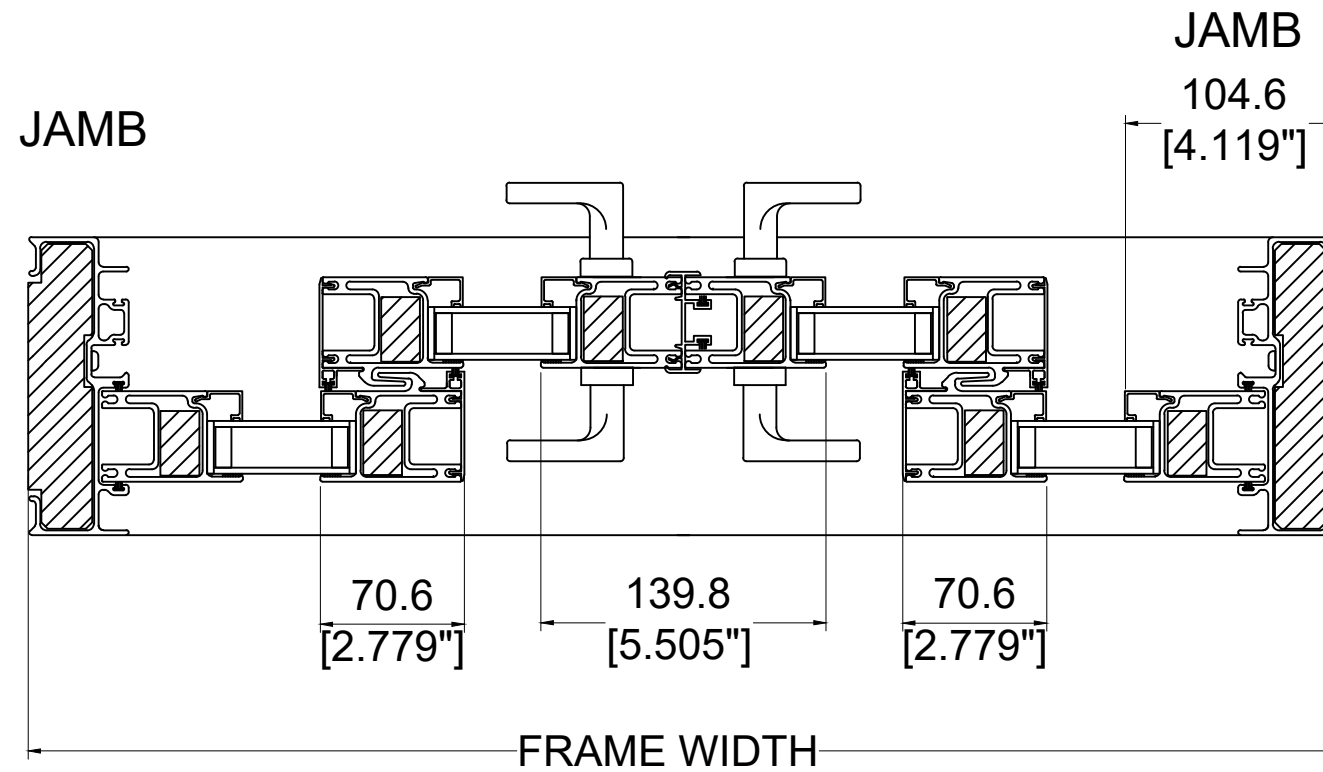


VERTICAL SECTION



HORIZONTAL SECTION



EnerLux Windows & Doors
 1530 Pine Avenue
 Crete, NE 68333
 402-205-3055

Design concepts and information may not be reproduced, used or disclosed without written permission from EnerLux Windows & Doors.

| | | | |
|-----------|------------|-------------|------------------------------|
| Size: | 1:2 | Item: | Sliding Patio Door - 4 Panel |
| Date: | 09/01/2017 | Drawing: | Cross Section |
| Drawn By: | PAV | Additional: | Double Pane |