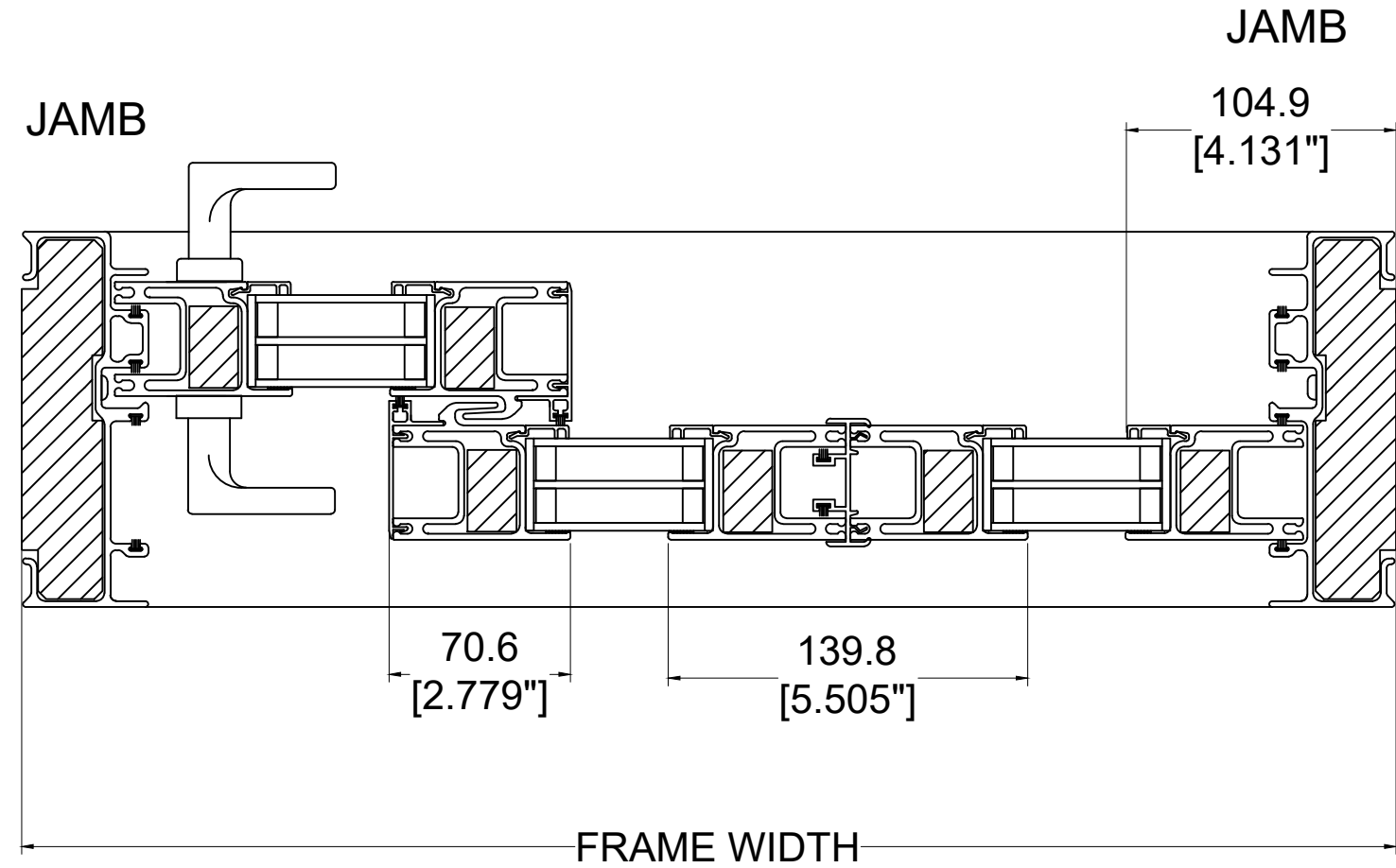


VERTICAL SECTION



HORIZONTAL SECTION



EnerLux Windows & Doors
 1530 Pine Avenue
 Crete, NE 68333
 402-205-3055

Design concepts and information may not be reproduced, used or disclosed without written permission from EnerLux Windows & Doors.

Size:	1:1.5	Item:	Sliding Patio Door - 3 Panel
Date:	09/01/2017	Drawing:	Cross Section
Drawn By:	PAV	Additional:	Triple Pane