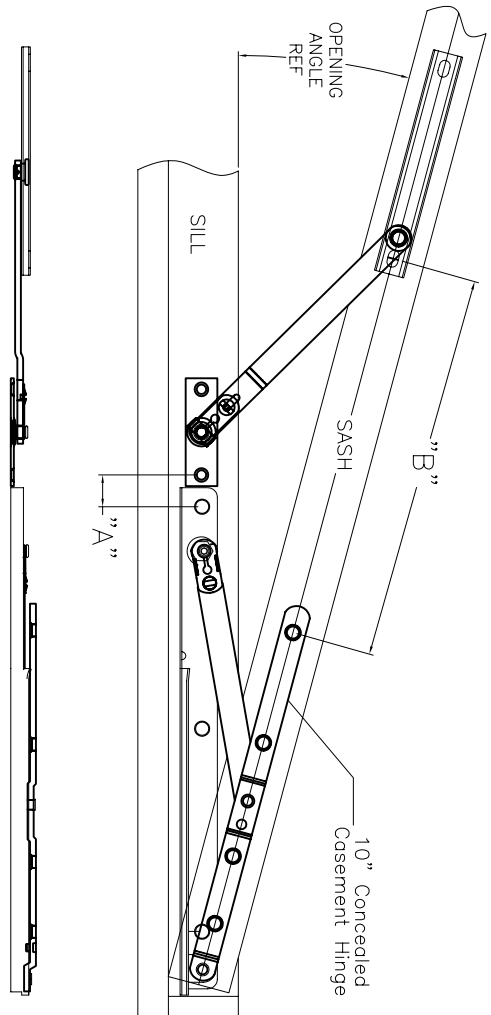


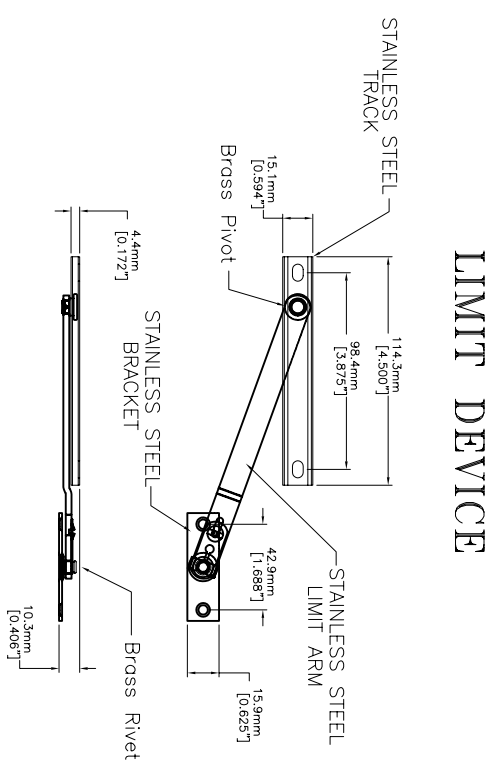
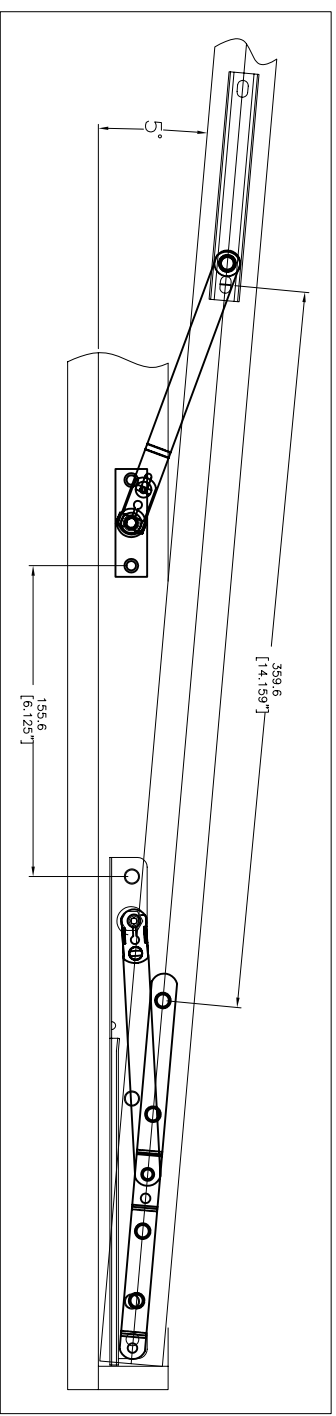
APPLICATION OF LIMIT DEVICE

REVISIONS				
ECN	REV	DESCRIPTION	DATE	APPROVED



DIMENSION "A"	DIMENSION "B"	RESULT	OPENING ANGLE(DEGREES)
6.125	14.159		5
.625	8.351		10
.625	7.626		15
.625	6.607		20

EXAMPLE (5 DEGREE LIMITATION)



SCREW RECOMMENDATION
 BRACKET: #7 FLAT HEAD, SS
 TRACK: #10 ROUND HEAD, SS

UNLESS OTHERWISE SPECIFIED, DIMENSIONS ARE IN MM

DECIMAL	TOLERANCES	ANGULAR
.X	±.50	±1.0°
.XX	±.05	

ROTO HARDWARE SYSTEMS
 14 INSPIRATION LANE, CHESTER, CT. 06412

THE INFORMATION, DESIGN OR DATA SHOWN ON THIS DOCUMENT OR ELECTRONIC MEDIA IS THE EXCLUSIVE PROPERTY OF ROTO HARDWARE SYSTEMS, INC. AND IS NOT TO BE REPRODUCED, COPIED, TRANSMITTED OR IN ANY MANNER DISCLOSED TO ANY OTHER PARTY WITHOUT THE WRITTEN CONSENT OF ROTO HARDWARE SYSTEMS, INC.

TITLE:	LIMIT DEVICE APPLICATION	DWG. NO.:	RHS-HINGE-040
PART #:	LD01-7500	DATE:	7/6/10
SCALE:	1:1	CHECKED:	UOHIAMA
SHEET:	1 OF 1	DATE:	7/6/10